



# 390, 390 EPA

**Spare parts**

**Ersatzteile**

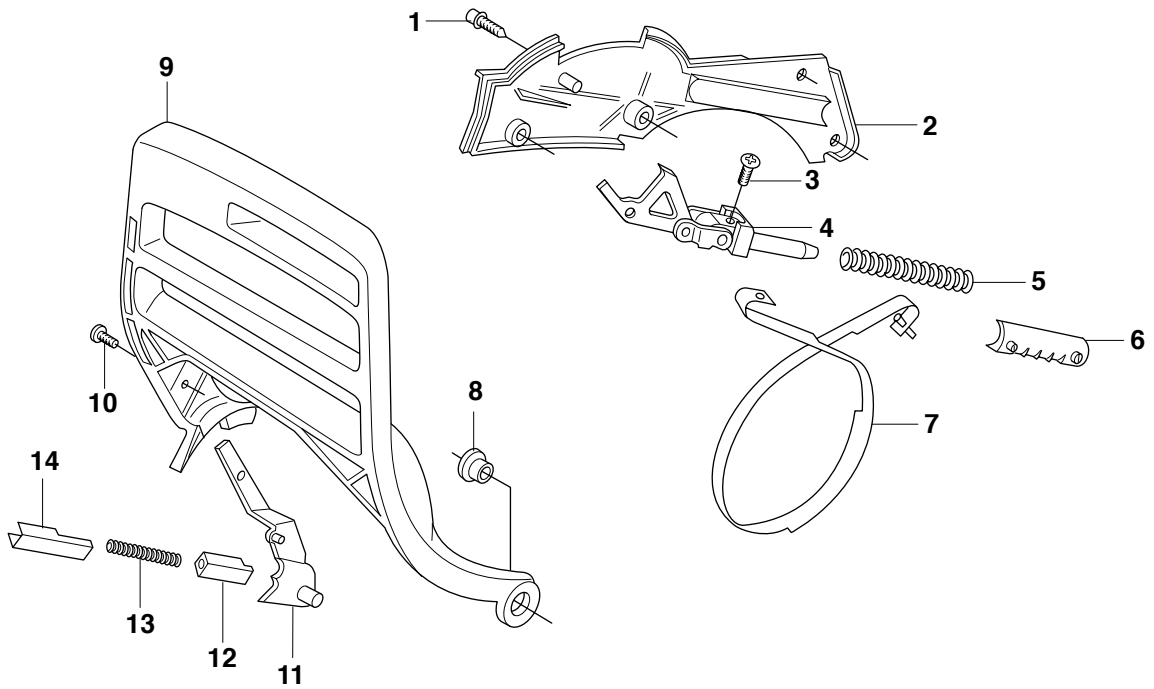
**Pièces détachées**

**Reserve onderdelen**

**Repuestos**

**Reservdelar**

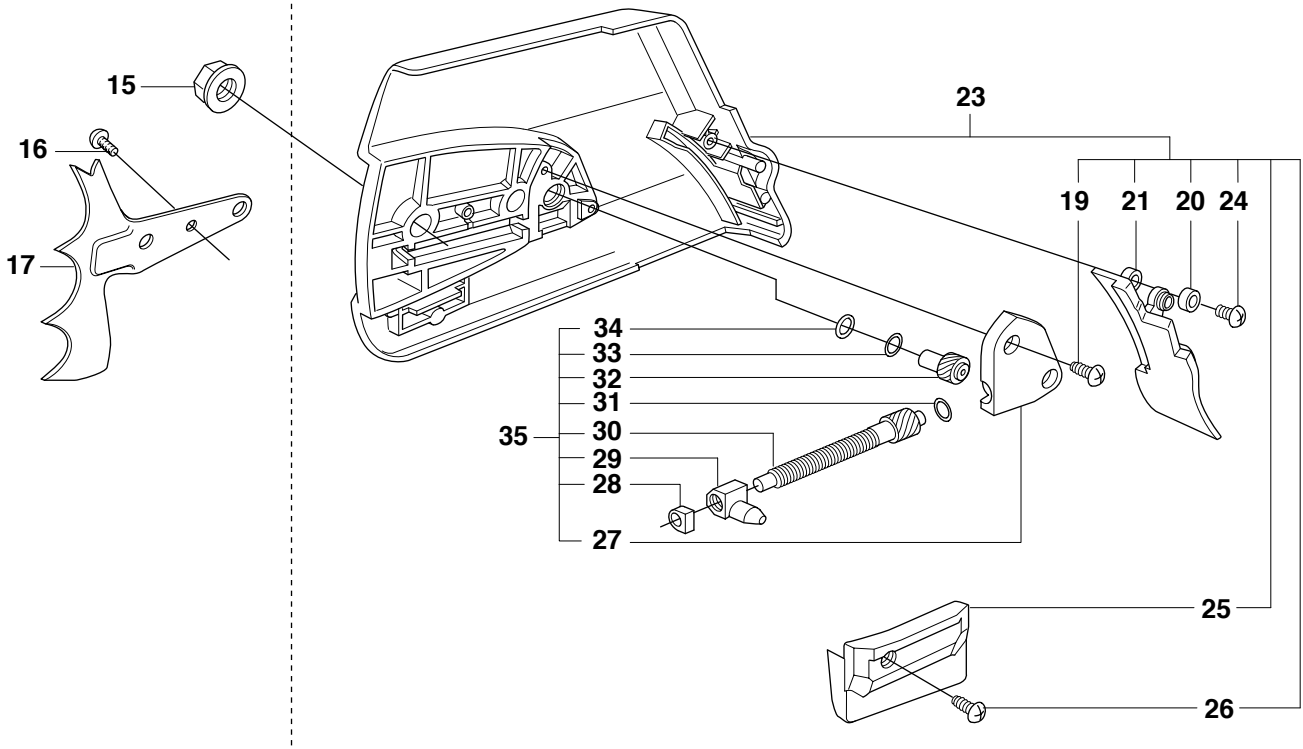
**A1** 390, 390EPA  
CHAIN BRAKE & CLUTCH COVER



18



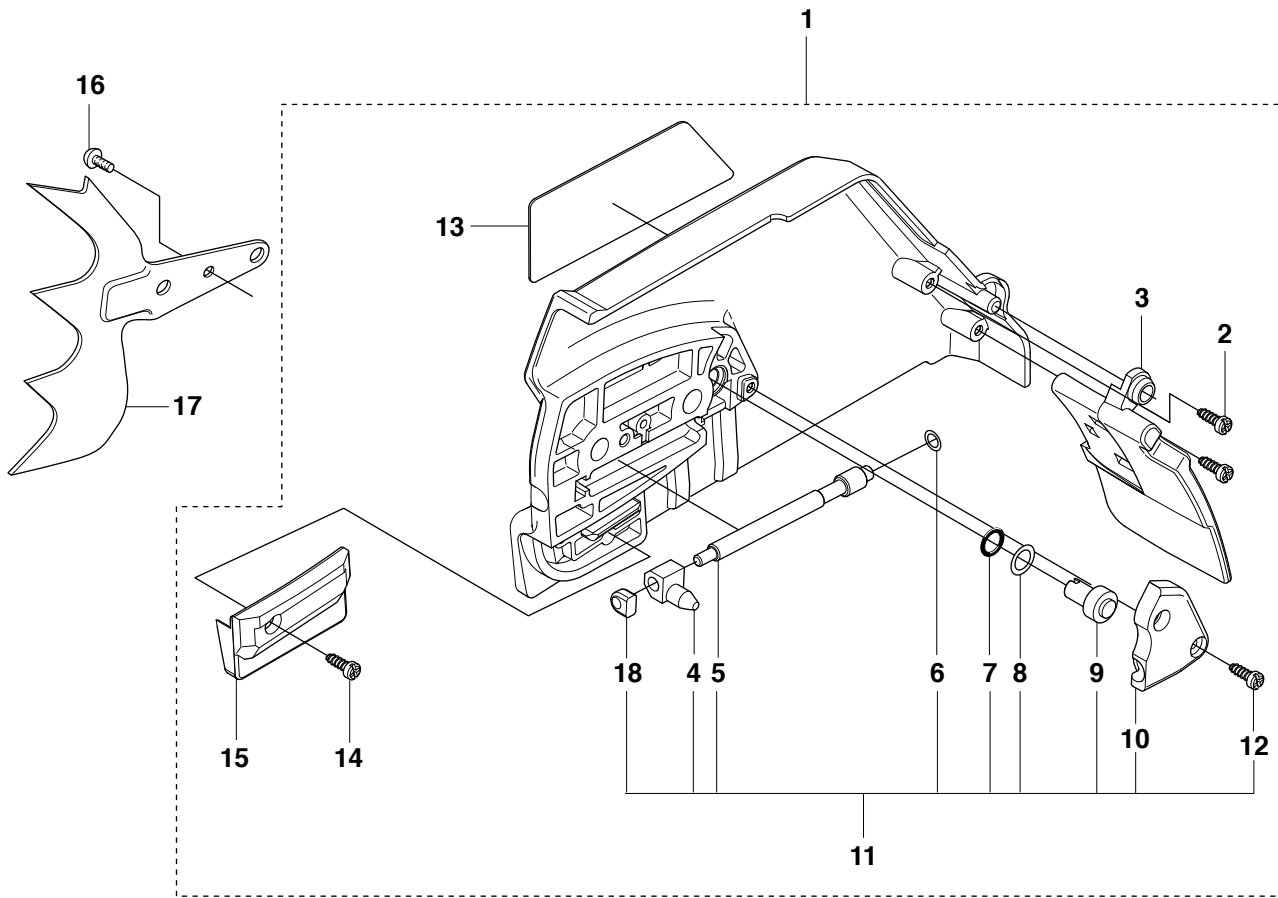
22



**Page A1 390, 390EPA CHAIN BRAKE & CLUTCH COVER**

<b>Position</b>	<b>Article</b>	<b>Quantity</b>	<b>Notes</b>	<b>Kit</b>
1	503 20 02-12	4		
2	503 75 11-03	1		
3	503 21 28-10	1		
4	501 87 53-04	1		
5	503 70 99-01	1		
6	503 79 27-01	1		
7	503 75 22-02	1		
8	503 77 52-01	1		
9	537 01 69-01	1		
10	503 20 25-12	1		
11	537 00 87-02	1		
12	503 83 81-02	1		
13	503 43 65-01	1		
14	537 01 67-01	1		
15	503 22 00-01	2		
16	503 21 28-10	1		
17	503 71 97-01	1		
18	537 03 35-02	1		
19	503 21 28-10	2		18, 23
20	503 89 70-01	1		18, 23
21	503 76 29-02	1		18, 23
22	537 03 38-03	1		18
23	537 03 35-72	1		18
24	503 21 28-10	1		18, 23
25	537 04 34-01	1		18, 23
26	503 21 28-10	1		18, 23
27	537 01 68-01	1		18, 35
28	537 01 74-01	1		18, 35
29	503 99 83-01	1		18, 35
30	537 07 95-02	1		18, 35
31	503 23 00-66	1		18, 35
32	537 07 94-02	1		18, 35
33	503 23 00-63	1		18, 35
34	740 48 07-02	1		18, 35
35	537 04 41-02	1		18

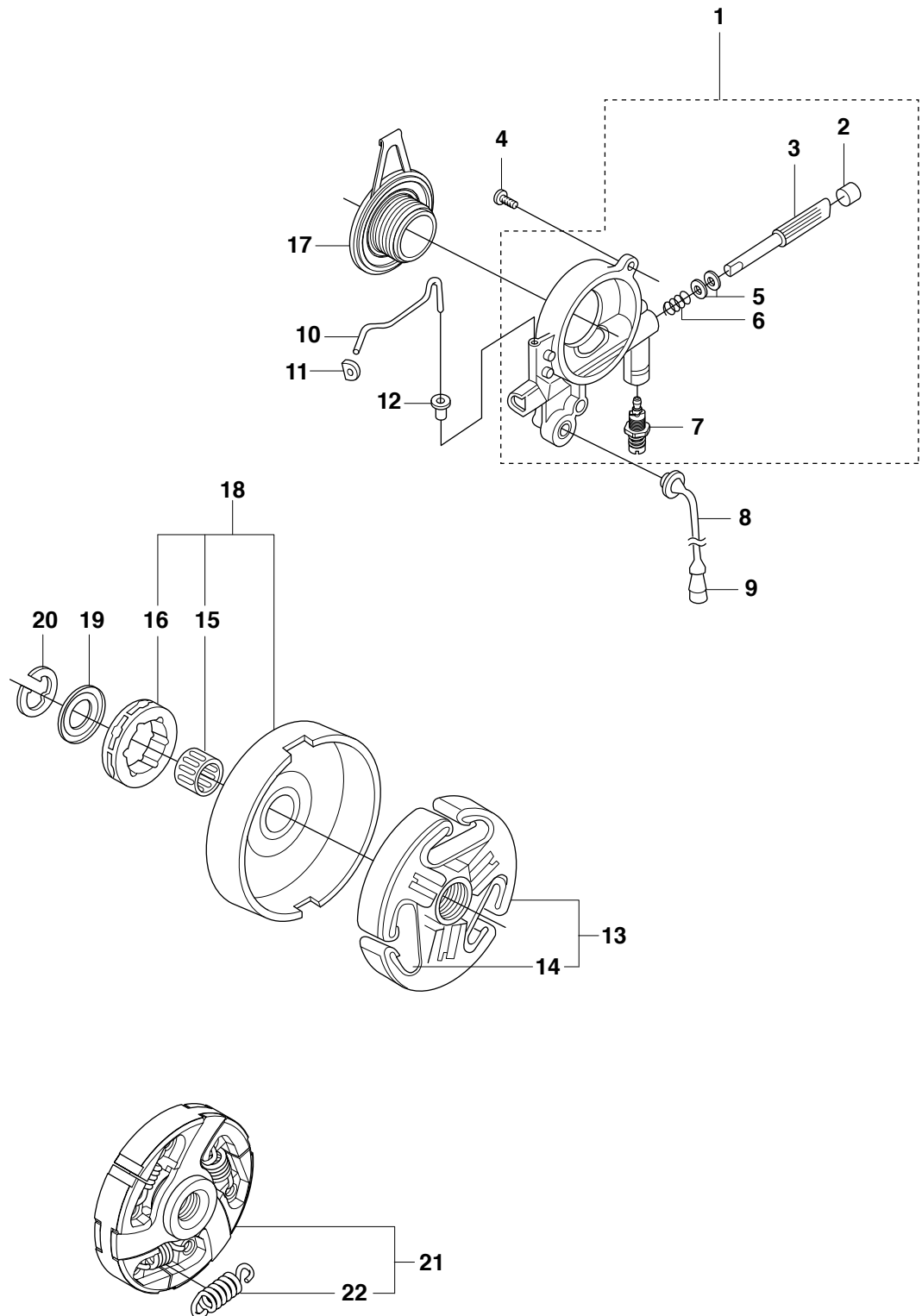
**A2** 390, 390EPA  
CHAIN BRAKE



**Page A2 390, 390EPA CHAIN BRAKE**

<b>Position</b>	<b>Article</b>	<b>Quantity</b>	<b>Notes</b>	<b>Kit</b>
1	537 33 10-01	1	WA	
2	503 21 28-10	2		1
3	537 17 41-01	1		1
4	503 99 83-01	1		1, 11
5	537 07 95-02	1		1, 11
6	503 23 00-66	1		1, 11
7	740 48 07-02	1		1, 11
8	503 23 00-63	1		1, 11
9	537 07 94-02	1		1, 11
10	537 01 68-01	1		1, 11
11	537 04 41-02	1		1
12	503 21 28-10	2		1, 11
13	537 03 38-03	1		1
14	503 21 28-10	1		1
15	537 04 34-01	1		1
16	503 21 28-10	1		
17	503 92 27-01	1	WA	
18	537 01 74-01	1		1, 11

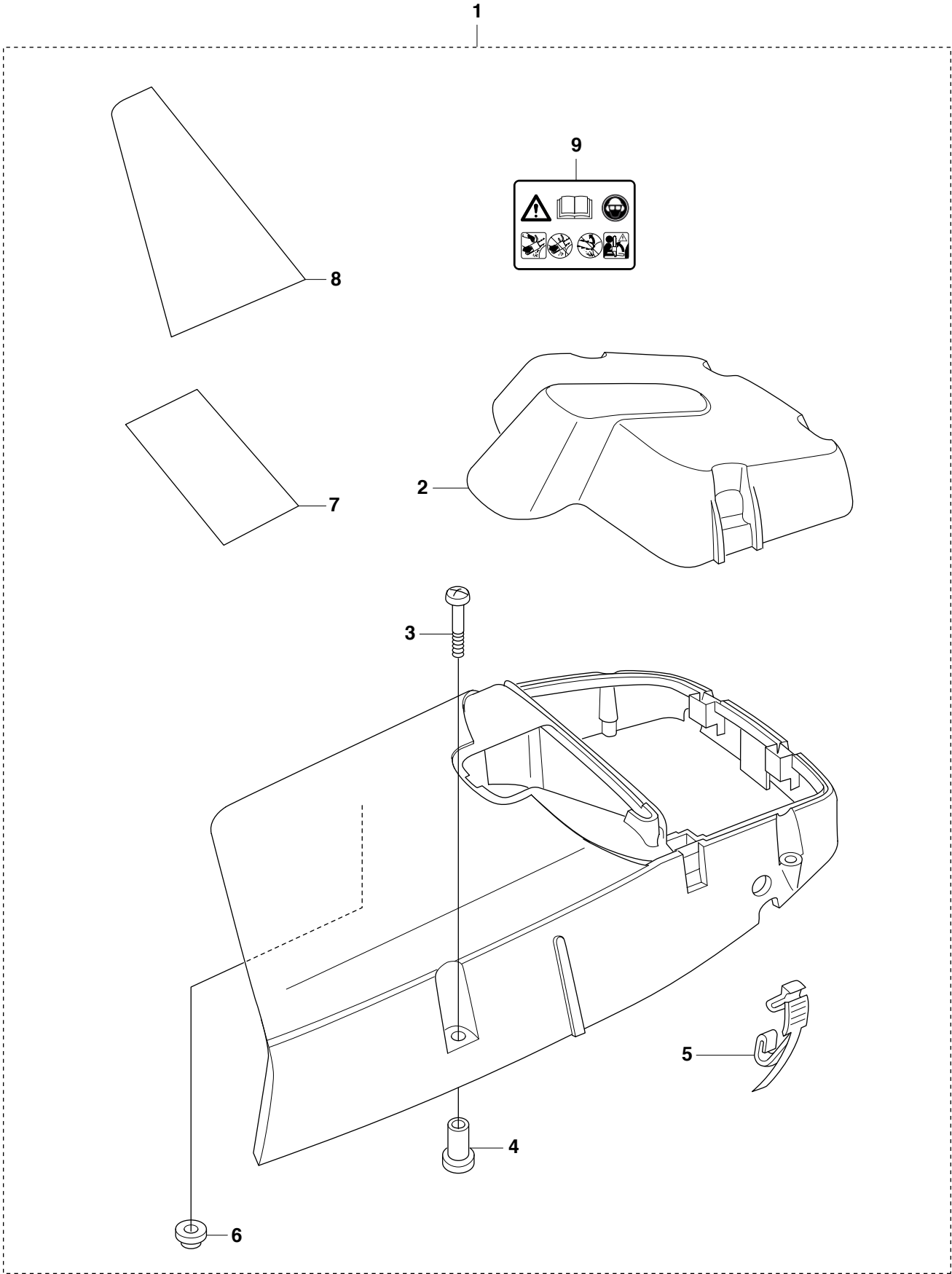
**B** 390, 390EPA  
CLUTCH & OIL PUMP



**Page B 390, 390EPA CLUTCH & OIL PUMP**

<b>Position</b>	<b>Article</b>	<b>Quantity</b>	<b>Notes</b>	<b>Kit</b>
1	503 52 13-05	1		
2	503 62 49-01	1		1
3	537 10 64-01	1		1
4	725 53 29-56	2		
5	503 23 00-04	2		1
6	501 61 58-01	1		1
7	537 39 60-01	1		1
8	503 42 67-01	1		
9	501 54 41-02	1		
10	503 77 43-01	1		
11	503 64 47-01	1		
12	504 30 00-26	1		
13	503 97 50-01	1		
14	503 97 51-01	3		13
15	503 43 20-01	1		18
16	501 59 80-02	1	3/8"x7T	18
16	505 30 36-61	1	3/8"x8T	18
16	501 59 79-02	1	.404x7	18
17	537 20 78-06	1		
18	537 13 79-71	1	3/8"x7T	
18	537 13 79-72	1	3/8"x8T	
18	537 13 79-02	1	.404x7	
19	503 75 24-01	1		
20	503 27 21-01	1		
21	537 25 75-01	1		
22	503 14 51-01	3		21

**C** 390, 390EPA  
CYLINDER COVER

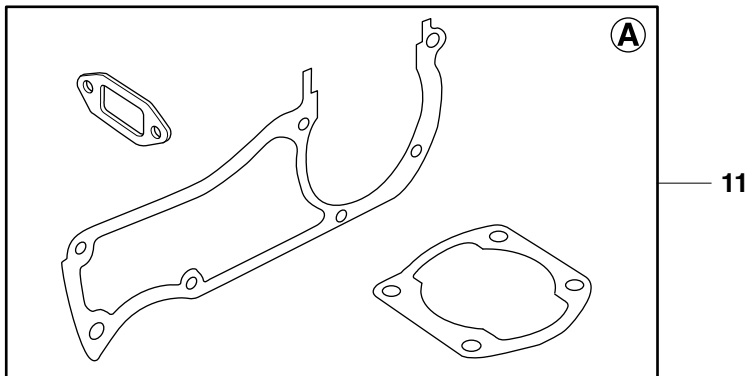
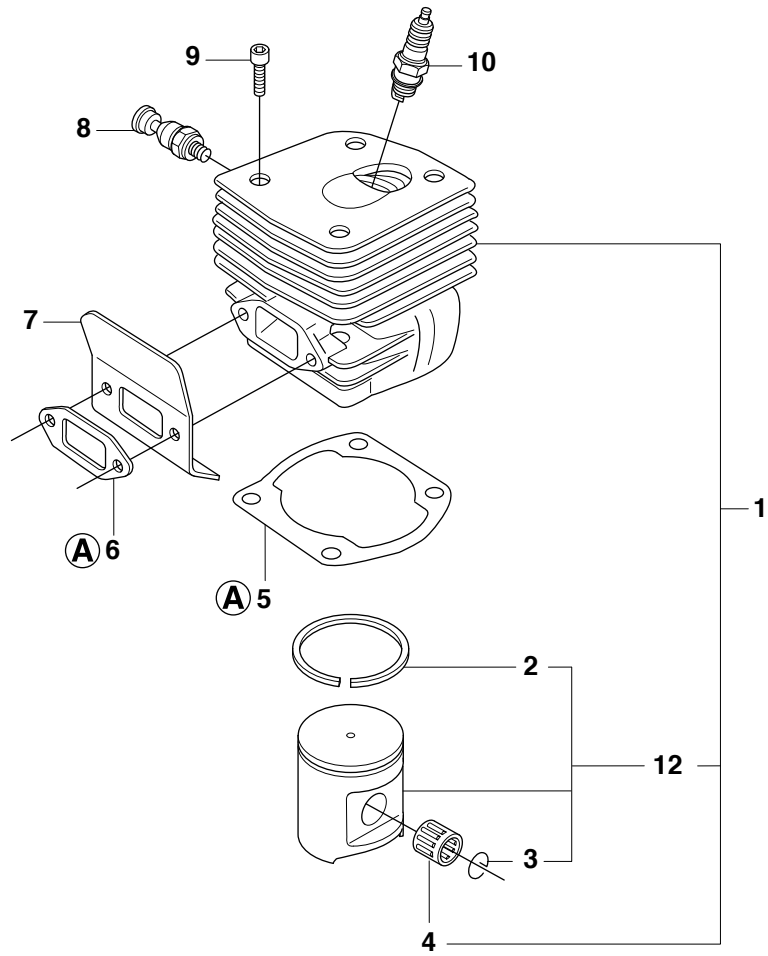




**Page C 390, 390EPA CYLINDER COVER**

<b>Position</b>	<b>Article</b>	<b>Quantity</b>	<b>Notes</b>	<b>Kit</b>
1	537 00 07-01	1	Std	
1	537 00 07-02	1	Hd	1
2	537 00 09-01	1	Std	
2	537 00 10-01	1	Hd	1
3	503 20 44-26	3		1
4	537 13 72-01	3		1
5	503 74 01-02	4		1
6	537 01 65-01	1		1
7	537 07 23-01	1		1
8	537 06 96-01	1		1
9	503 98 74-01	1		1

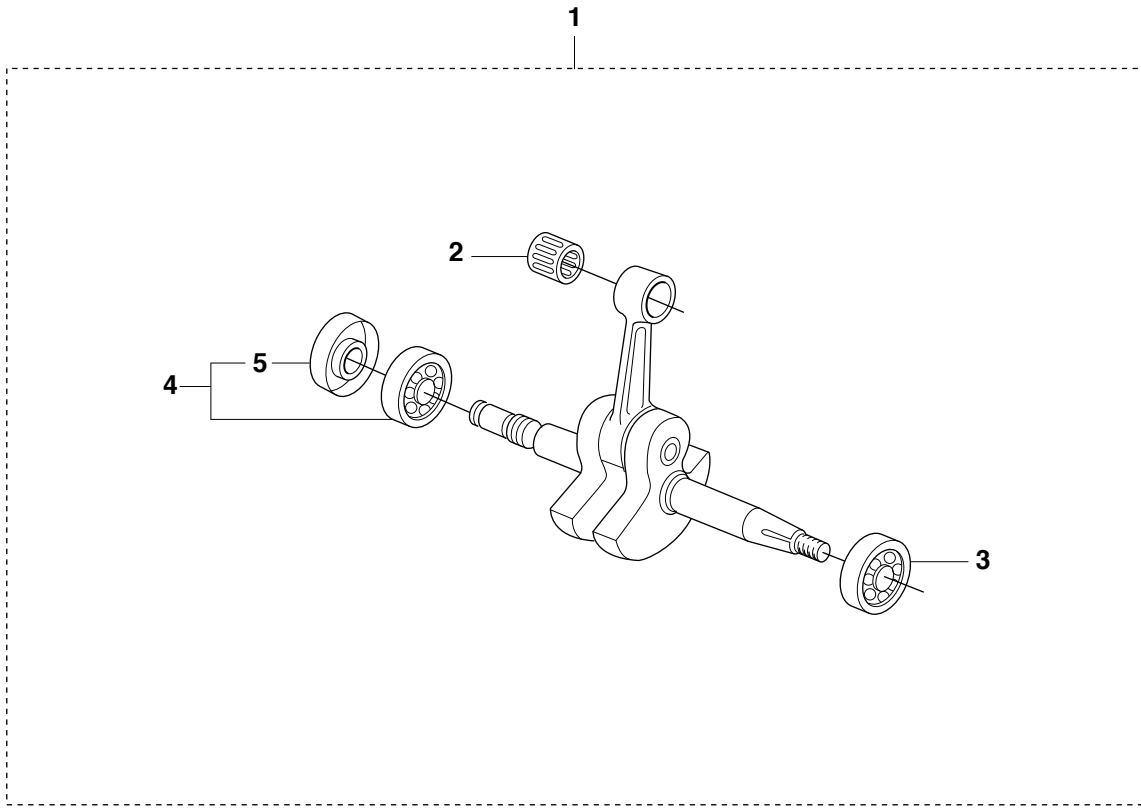
**D** 390, 390EPA  
CYLINDER PISTON



**Page D 390, 390EPA CYLINDER PISTON**

<b>Position</b>	<b>Article</b>	<b>Quantity</b>	<b>Notes</b>	<b>Kit</b>
1	544 00 65-02	1		
2	503 28 90-53	2		12
3	737 44 13-00	2		12
4	503 25 61-01	1		1
5	537 00 57-01	1		11
6	503 77 59-01	1		11
7	537 08 62-01	1		
8	503 71 53-01	1		
9	725 53 33-55	4		
10	503 23 51-08	1	RCJ 7 Y	
11	537 03 39-01	1	A = Set of gaskets	
12	537 42 02-02	1		1

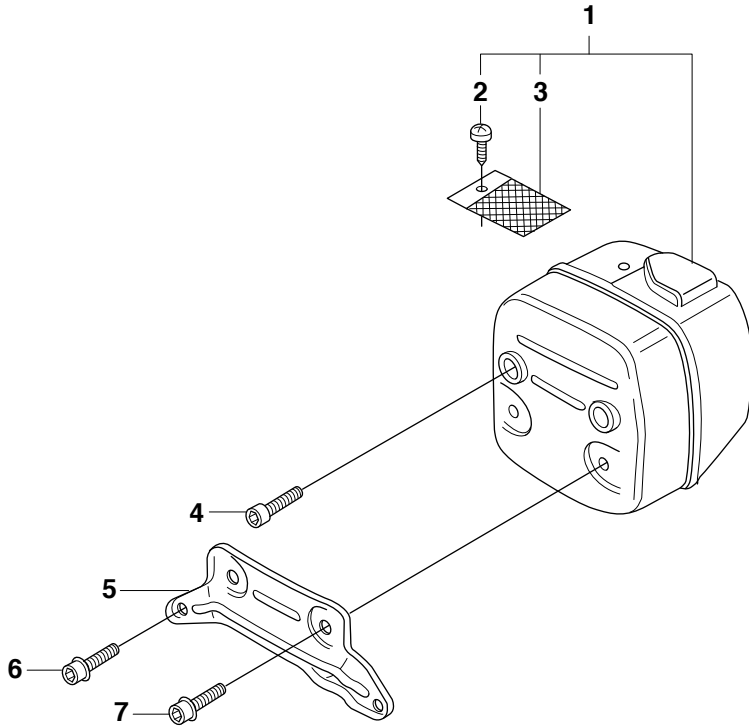
**E** 390, 390EPA  
CRANKSHAFT



**Page E 390, 390EPA CRANKSHAFT**

<b>Position</b>	<b>Article</b>	<b>Quantity</b>	<b>Notes</b>	<b>Kit</b>
1	503 99 34-04	1		
2	503 25 61-01	1		1
3	738 22 03-25	1		1
4	503 25 13-01	1		1
5	503 26 22-01	1		1, 4

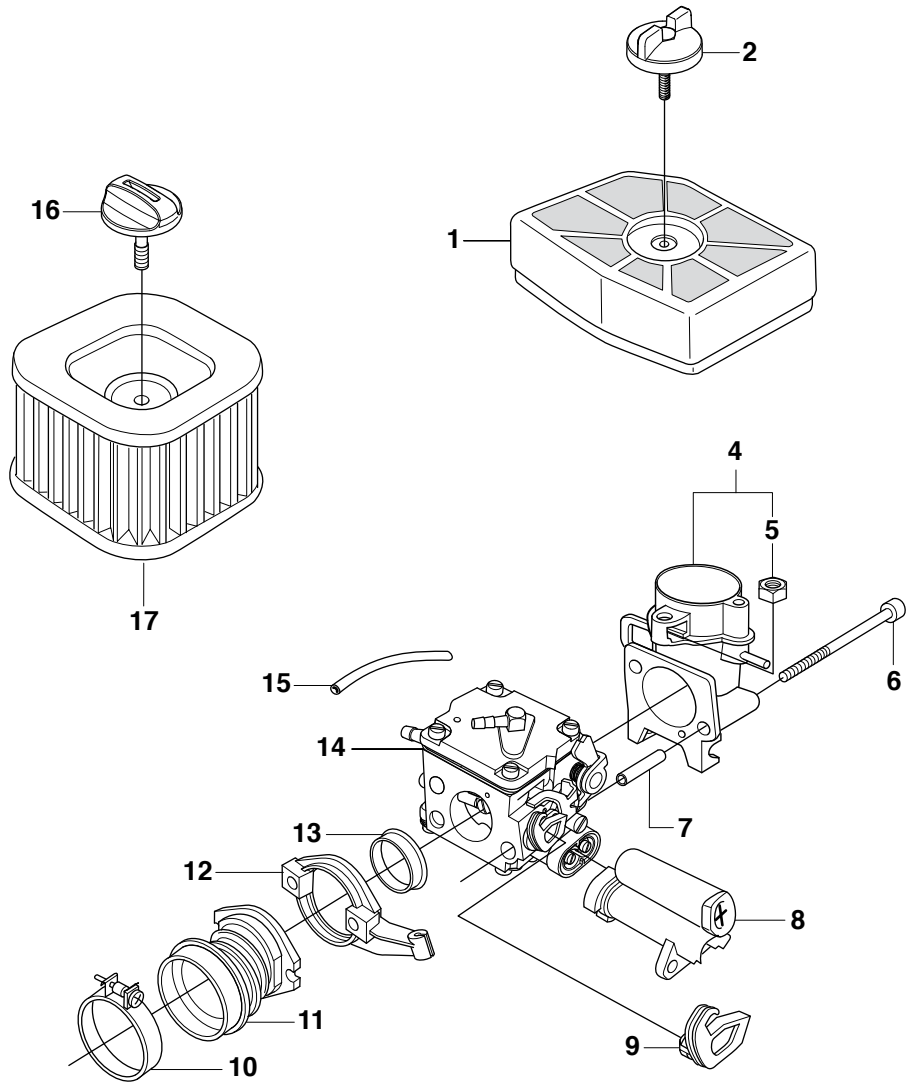
**F** 390, 390EPA  
MUFFLER



**Page F 390, 390EPA MUFFLER**

<b>Position</b>	<b>Article</b>	<b>Quantity</b>	<b>Notes</b>	<b>Kit</b>
1	544 02 91-04	1	DF	
1	544 02 91-03	1	Jungle	
2	724 12 87-59	1		1
3	503 76 64-02	1		1
4	725 53 70-55	2		
5	503 76 65-03	1		
6	503 20 02-16	2		
7	503 20 07-12	2		

**G** 390, 390EPA  
CARBURETOR & AIRFILTER

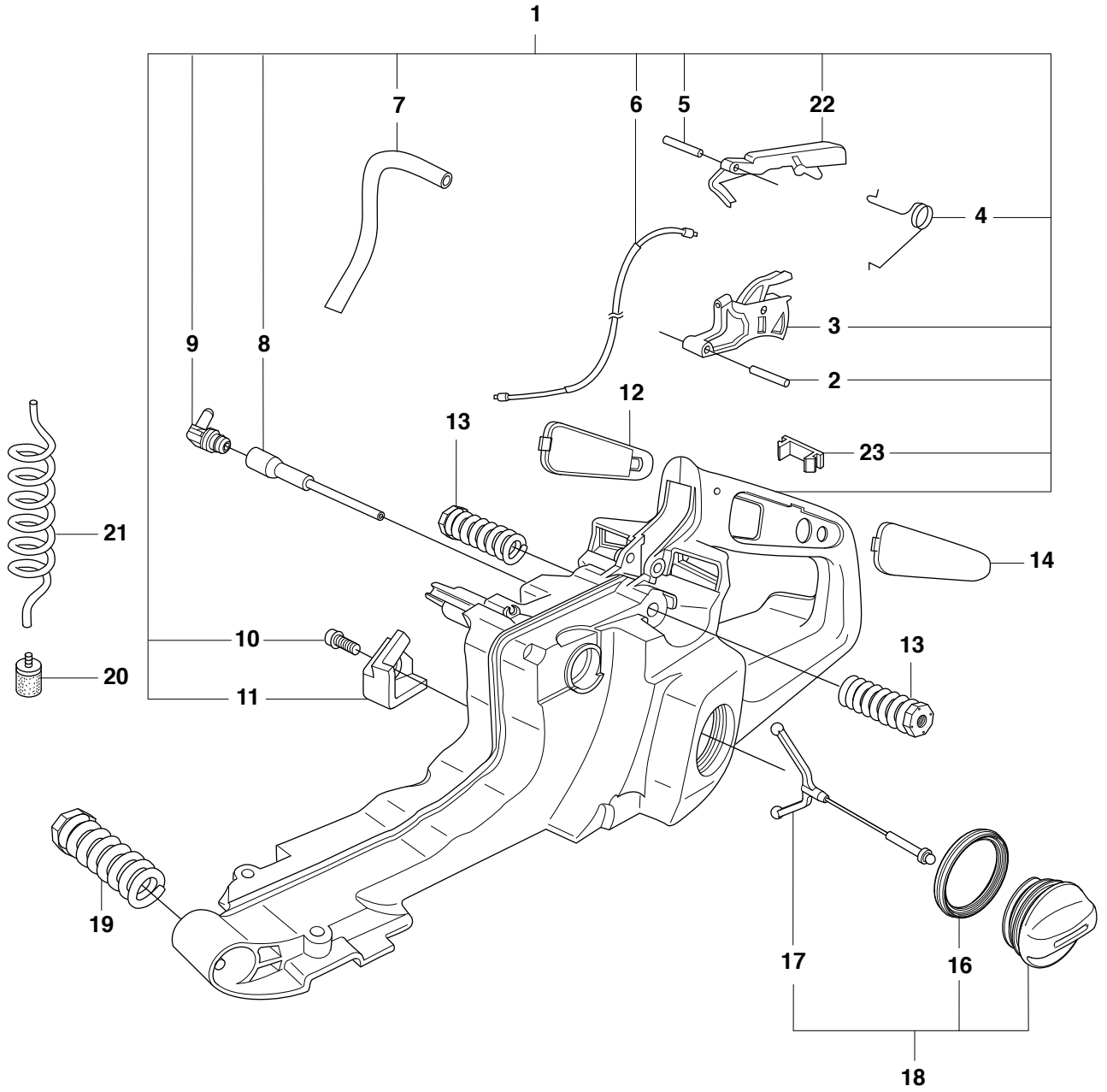




**Page G 390, 390EPA CARBURETOR & AIRFILTER**

<b>Position</b>	<b>Article</b>	<b>Quantity</b>	<b>Notes</b>	<b>Kit</b>
1	537 01 47-01	1	80 $\mu$	
1	537 01 47-02	1	44 $\mu$	
1	537 01 47-03	1	Felt	
2	537 21 32-01	1		
4	537 00 91-01	1		
5	731 23 14-01	1		4
6	725 53 09-55	2		
7	503 70 11-01	2		
8	544 97 51-01	1		
9	503 68 41-01	1		
10	505 28 33-02	1		
11	537 11 14 -01	1		
12	537 00 37-01	1		
13	503 96 22-01	1		
14	501 35 54-01	1	WJ118	
14	501 35 52-01	1	WJ116 (EPA)	
15	503 40 06-04	1		
16	537 21 32-05	1		
17	537 00 93-01	1	Felt	

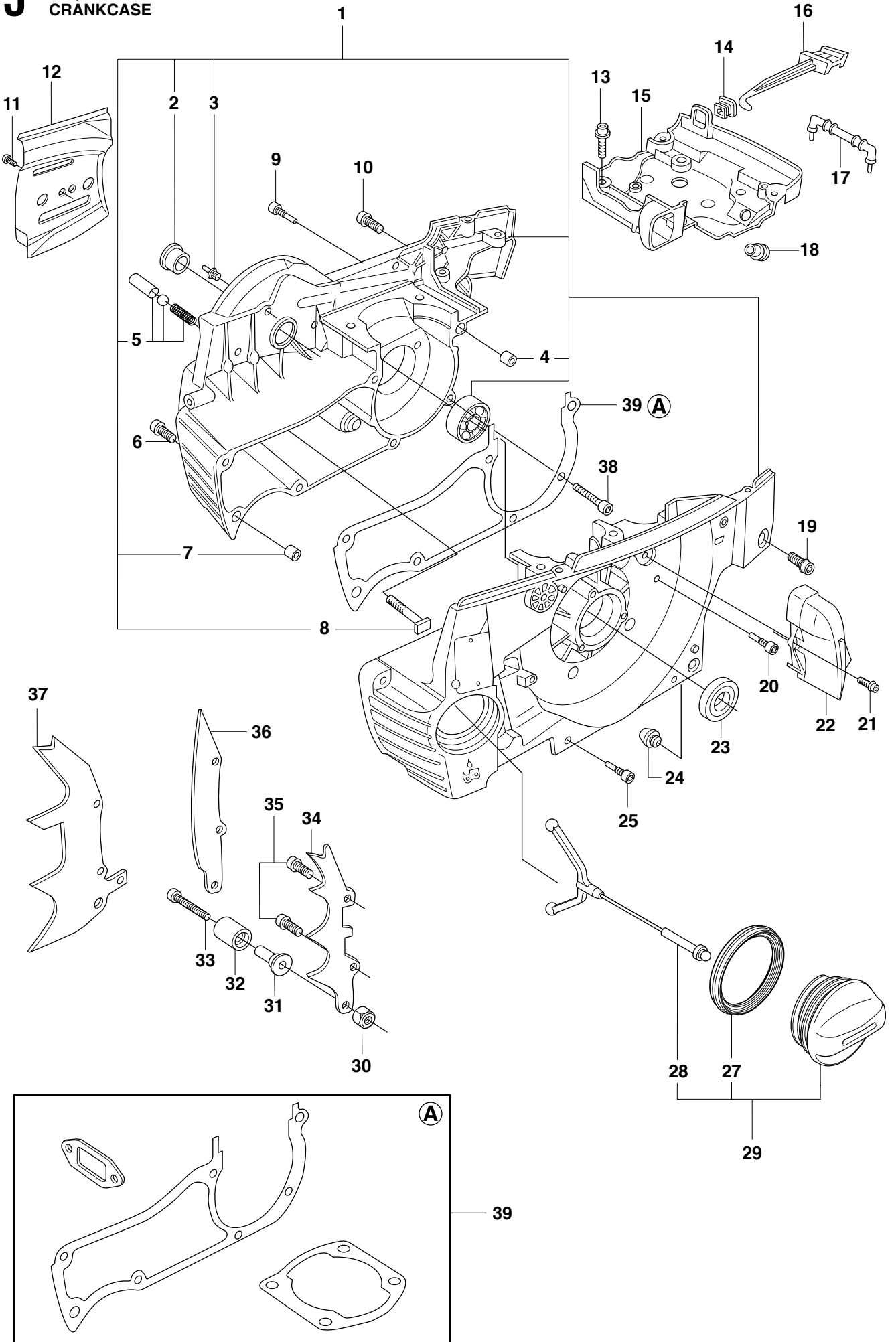
**H** 390, 390EPA  
FUEL TANK & HANDLE



**Page H 390, 390EPA FUEL TANK & HANDLE**

<b>Position</b>	<b>Article</b>	<b>Quantity</b>	<b>Notes</b>	<b>Kit</b>
1	537 00 03-71	1		
2	720 12 72-20	1		1
3	503 82 98-01	1		1
4	503 73 64-01	1		1
5	720 12 40-20	1		1
6	503 71 76-01	1		1
7	544 32 49-06	1		1
8	537 09 22-01	1		1
9	537 09 93-01	1		1
10	503 21 88-74	1		1
11	537 00 88-02	1		1
12	537 03 34-01	1		
13	537 01 79-01	2		
13	537 01 79-02	2	Hard	
14	537 03 34-01	1		
16	537 21 50-01	1		18
17	503 57 89-01	1		18
18	537 21 52-02	1		
19	537 01 75-01	1		
19	537 01 75-02	1	Hard	
20	503 44 32-01	1		
21	544 32 50-02	1		
22	503 55 66-01	1		1
23	501 49 27-03	1		1

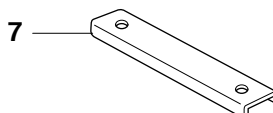
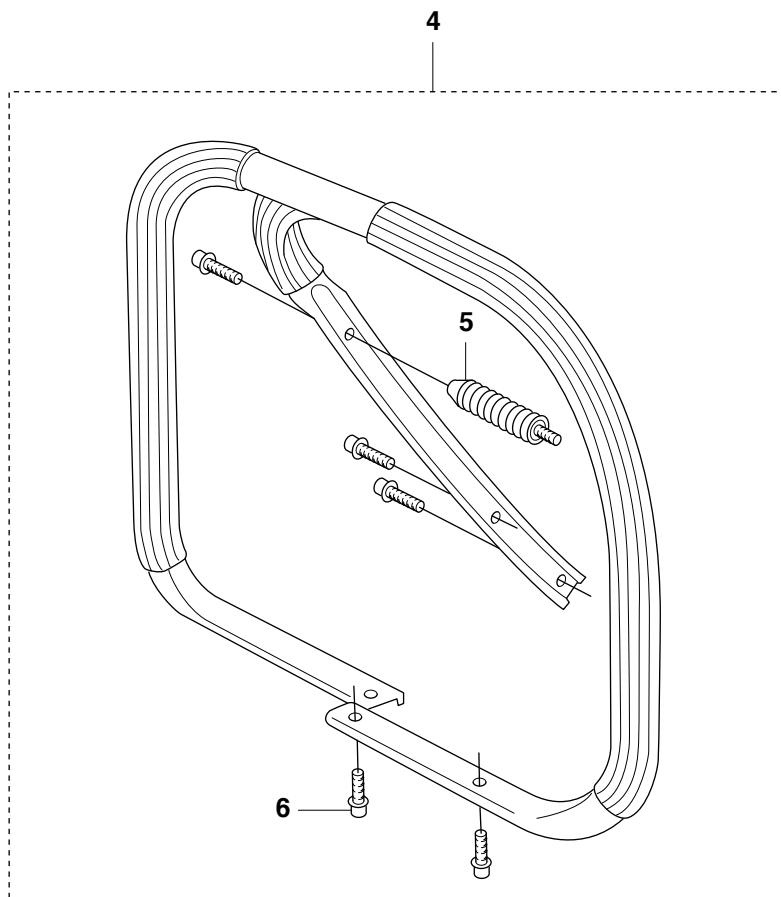
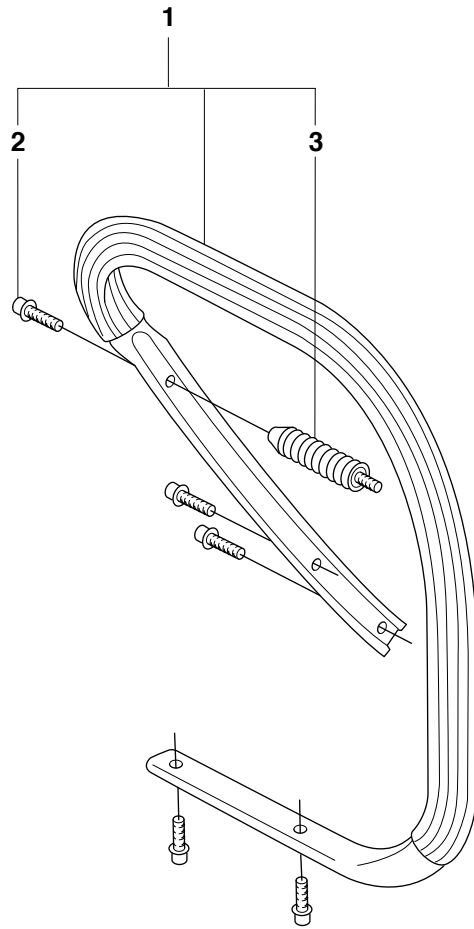
**J** 390, 390EPA  
CRANKCASE



**Page J 390, 390EPA CRANKCASE**

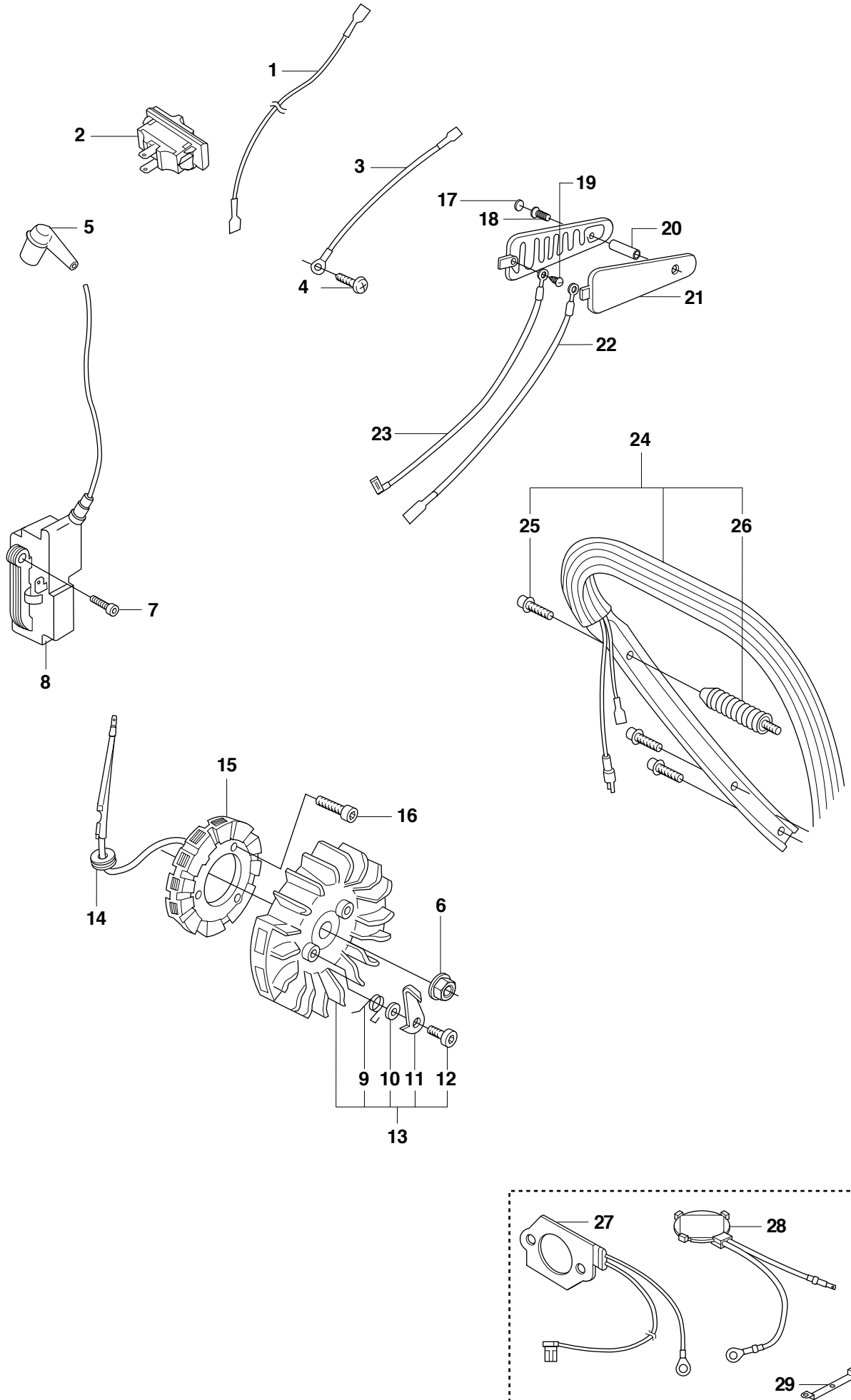
<b>Position</b>	<b>Article</b>	<b>Quantity</b>	<b>Notes</b>	<b>Kit</b>
1	503 99 11-05	1		
2	503 96 70-01	1		1
3	503 75 18-01	1		1
4	501 27 08-01	1		1
5	537 04 03-01	1		1
6	503 21 88-74	1		
7	501 27 08-01	1		1
8	537 05 13-01	2		1
9	503 74 93-01	1		
10	503 21 88-74	1		
11	503 21 28-10	1		
12	537 04 66-01	1		
13	503 20 02-12	4		
14	503 73 44-01	1		
15	537 00 14-02	1		
16	537 00 12-01	1		
17	503 67 86-01	1		
18	537 09 54-01	1		
19	503 21 88-74	1		
20	503 74 93-01	1		
21	503 20 02-12	1		
22	537 00 79-01	1		
23	503 26 02-05	1		
24	503 84 61-01	2		
25	503 74 93-01	1		
27	537 21 50-01	1		29
28	503 57 89-01	1		29
29	537 21 52-02	1		
30	503 22 24-01	1		
31	537 08 92-01	1		
32	537 02 44-01	1		
33	503 20 02-30	1		
34	537 01 71-01	1		
35	503 20 02-16	2		
36	537 04 29-01	1		
37	537 01 72-01	1	WA	
38	503 20 16-35	6		
39	537 03 39-01	1	A = Set of gaskets	

**K** 390, 390EPA  
HANDLE



<b>Position</b>	<b>Article</b>	<b>Quantity</b>	<b>Notes</b>	<b>Kit</b>
1	503 98 66-71	1	WA	
2	503 21 88-74	5		1
3	503 52 87-02	1		1
4	503 98 67-71	1	WA	
4	503 98 67-72	1	WA (G)	
5	503 52 87-02	1	WA	4
5	503 68 45-03	1	WA (G)	
6	503 21 88-74	5	WA	4
7	537 03 73-01	1	WA	

**L** 390, 390EPA  
IGNITION SYSTEM

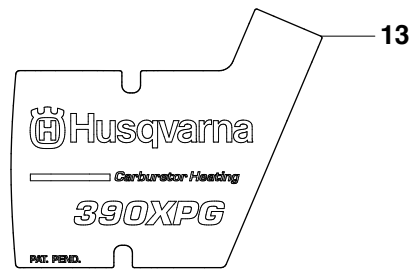
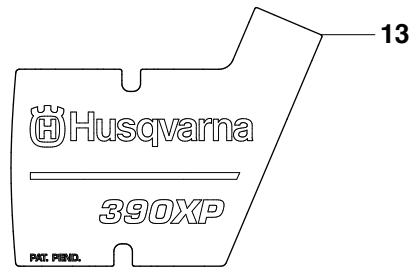
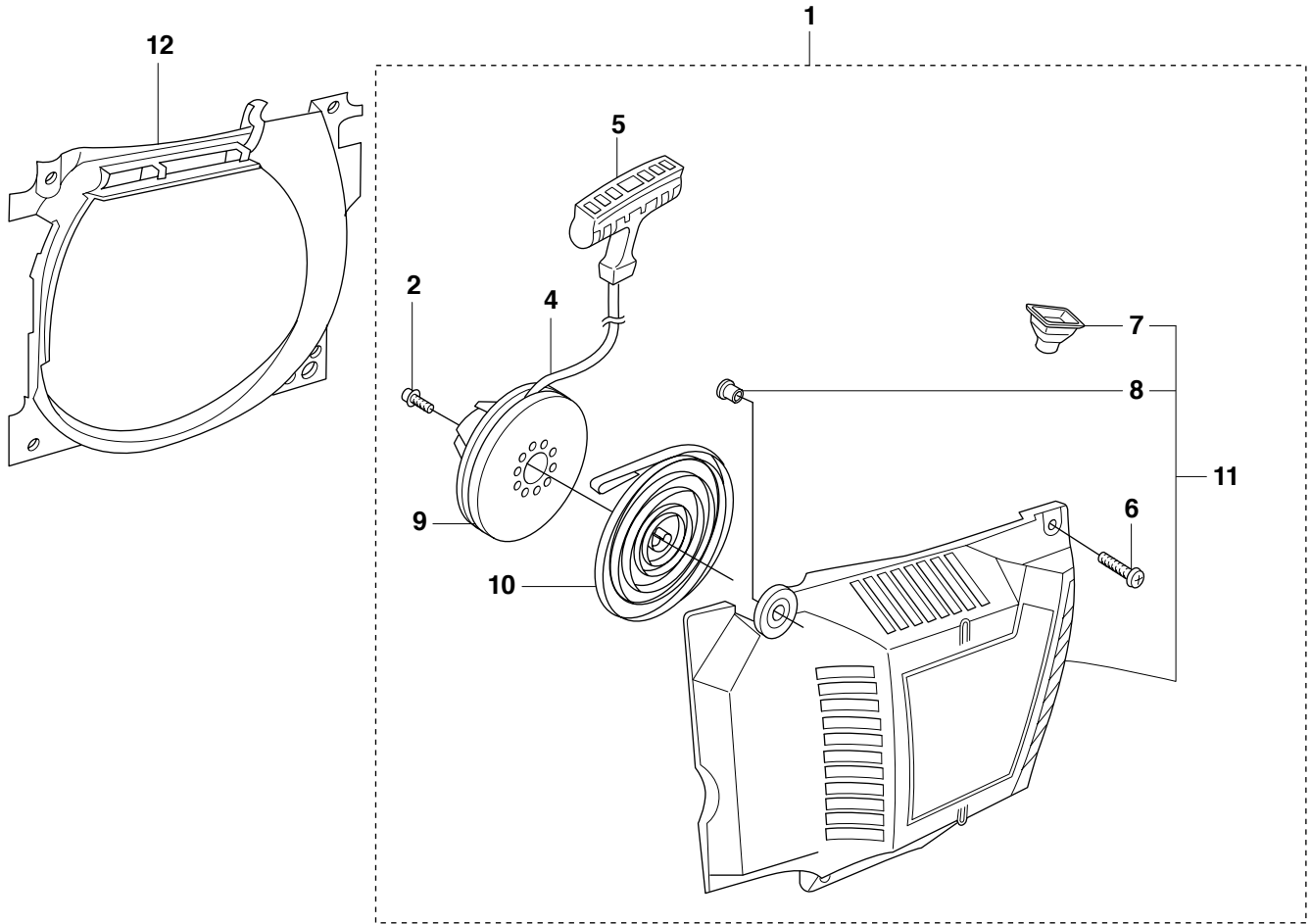




**Page L 390, 390EPA IGNITION SYSTEM**

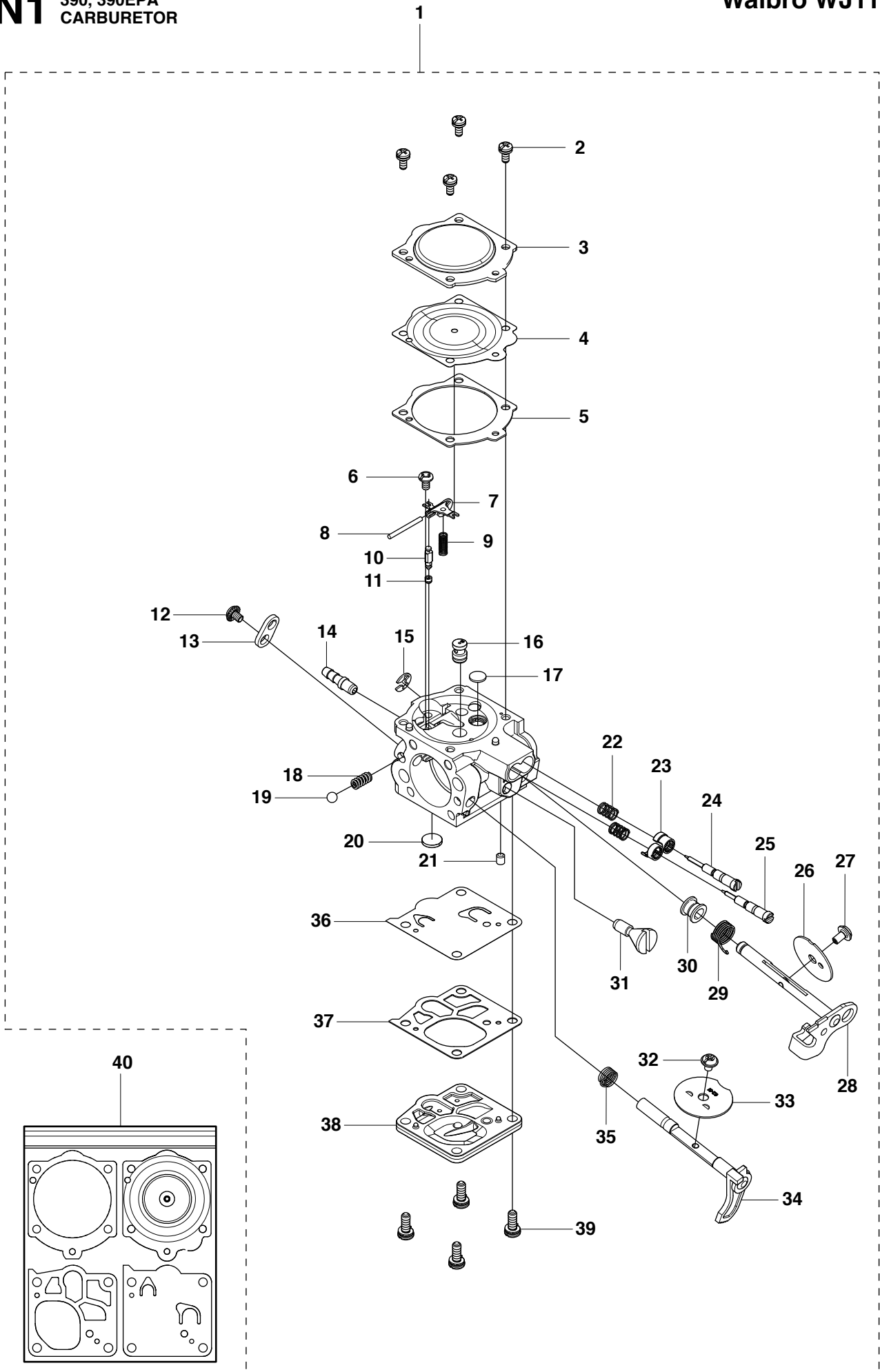
<b>Position</b>	<b>Article</b>	<b>Quantity</b>	<b>Notes</b>	<b>Kit</b>
1	503 62 61-02	1		
2	503 71 82-01	1		
2	503 71 82-02	1	G	
3	503 89 76-01	1		
4	503 21 28-10	1		
5	501 48 54-02	1		
6	503 22 04-01	1		
7	503 20 02-20	2		
8	510 11 49-01	1	Speed limited	
8	544 04 71-01	1		
9	501 67 35-01	2		13
10	503 23 00-42	2		13
11	537 01 55-01	2		13
12	501 81 99-01	2		13
13	537 05 16-05	1		
13	537 05 16-06	1	G	
14	501 27 13-02	1	G	
15	537 07 18-02	1	G	
16	725 52 91-56	3	G	
17	501 79 51-02	2	G	
18	724 32 24-05	2	G	
19	503 21 29-06	2	G	
20	537 05 26-01	1	G	
21	501 62 93-08	2	G	
22	537 04 06-01	1	G	
23	537 04 05-01	1	G	
24	503 98 66-72	1	G	
25	503 21 88-20	5		24
26	503 68 45-03	1		24
27	537 06 53-02	1		
28	537 18 98-01	1		
29	537 06 32-01	1		

**M** 390, 390EPA  
STARTER



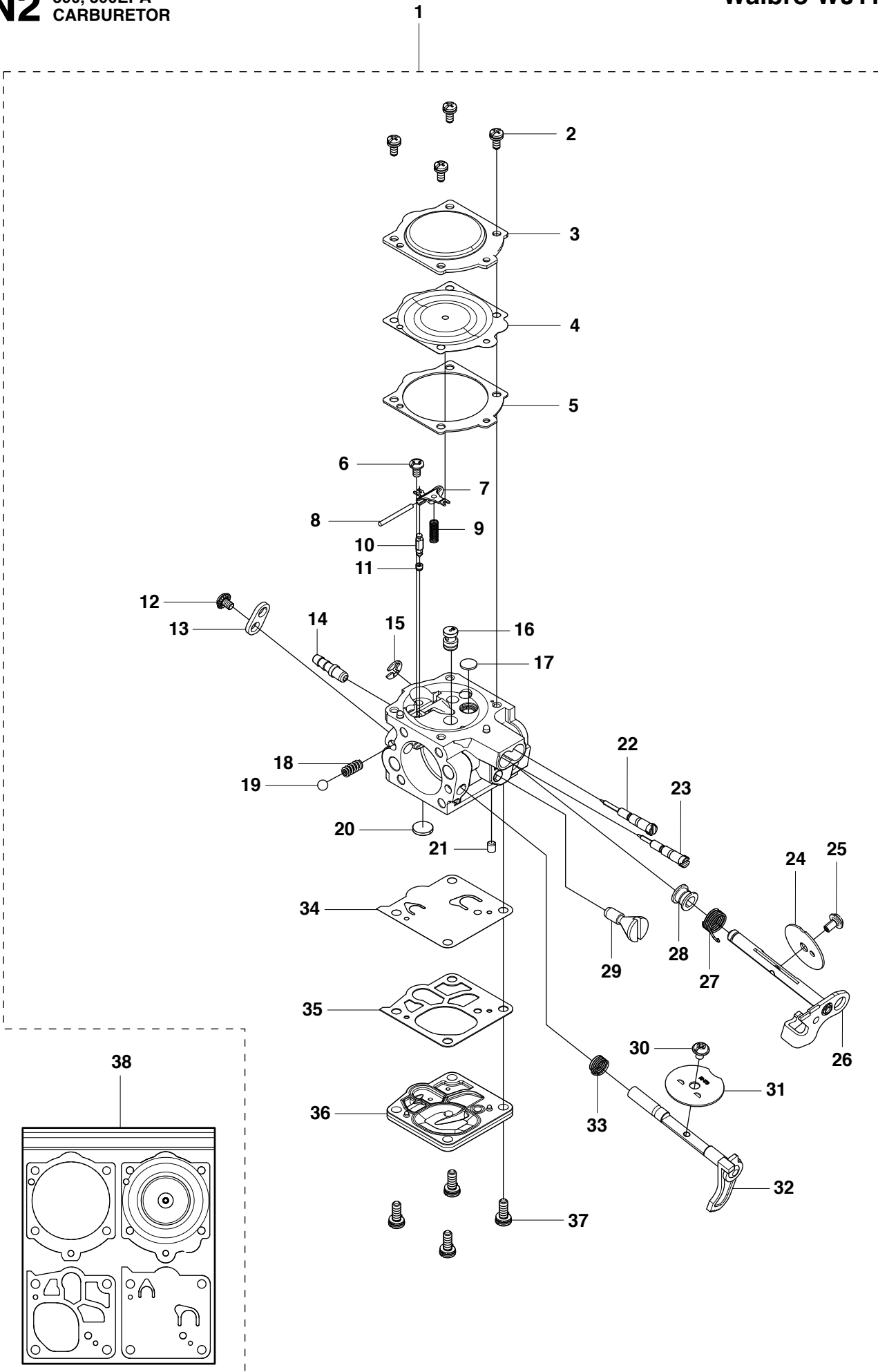
**Page M 390, 390EPA STARTER**

<b>Position</b>	<b>Article</b>	<b>Quantity</b>	<b>Notes</b>	<b>Kit</b>
1	537 00 38-71	1		
2	503 21 52-16	1		1
4	503 43 29-02	1		1
5	503 54 39-01	1		1
6	503 20 34-19	4		1,11
7	501 63 06-01	1		1,11
8	537 08 67-01	1		1,11
9	503 85 96-01	1		1
10	503 78 72-01	1		1
11	537 00 39-71	1		1
12	537 00 13-01	1		
13	537 32 70-03	1		
13	537 32 70-04	1	G	



**Page N1 390, 390EPA CARBURETOR**

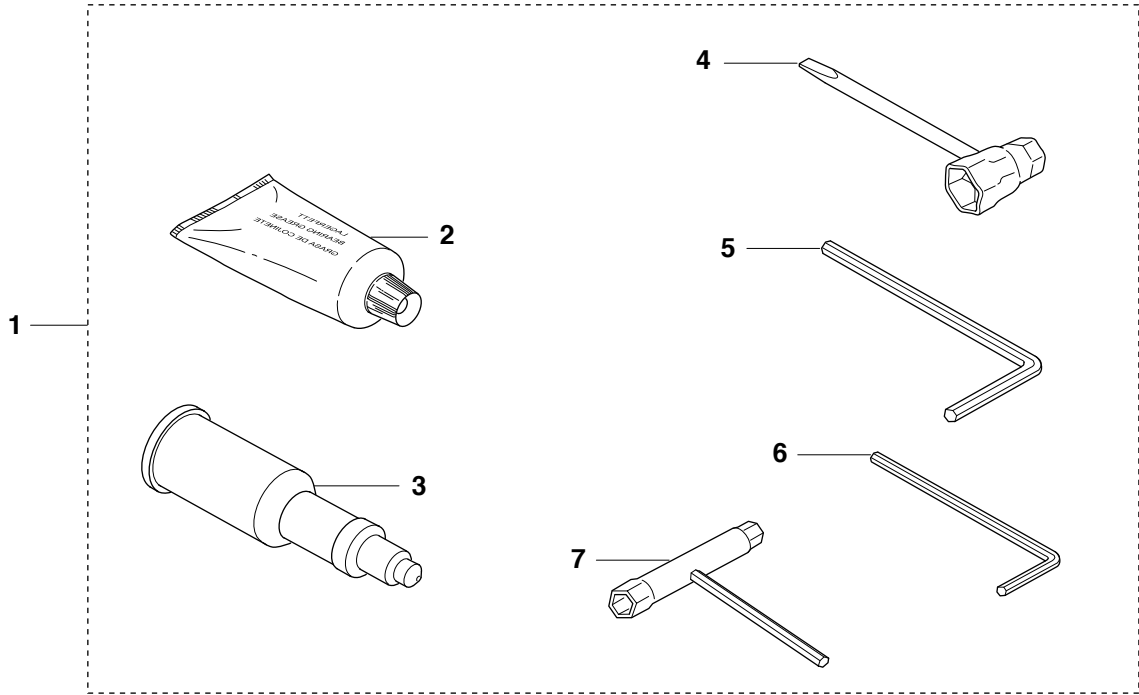
<b>Position</b>	<b>Article</b>	<b>Quantity</b>	<b>Notes</b>	<b>Kit</b>
1	501 35 52-01	1		
2	503 10 87-01	4		1
3	505 31 67-02	1		1
4	505 31 67-15	1		1, 40
5	501 46 75-01	1		1, 40
6	505 31 67-17	1		1
7	505 31 67-34	1		1
8	505 31 67-31	1		1
9	504 79 12-01	1		1
10	503 56 34-01	1		1
11	503 59 23-01	1		1
12	501 46 87-01	1		1
13	504 79 07-01	1		1
14	505 69 69-01	1		1
15	505 31 67-36	1		1
16	504 79 09-01	1		1
17	504 79 08-01	1		1
18	503 11 77-01	1		1
19	503 11 71-01	1		1
20	501 66 61-01	1		1
21	503 80 05-01	1		1
22	544 97 10-01	2		1
23	544 97 08-01	2		1
24	504 79 18-01	1	Low speed	1
25	544 97 13-01	1	High speed	1
26	503 80 00-01	1		1
27	544 11 15-01	1		1
28	504 79 04-01	1		1
29	576 13 82-01	1		1
30	502 10 31-01	1		1
31	504 79 11-01	1		1
32	537 00 34-01	1		1
33	505 31 67-07	1		1
34	504 79 05-01	1		1
35	504 79 15-01	1		1
36	544 89 72-01	1		1, 40
37	503 11 72-01	1		1, 40
38	504 79 03-01	1		1
39	503 11 75-01	4		1
40	522 59 18-01	1	Set of gaskets	



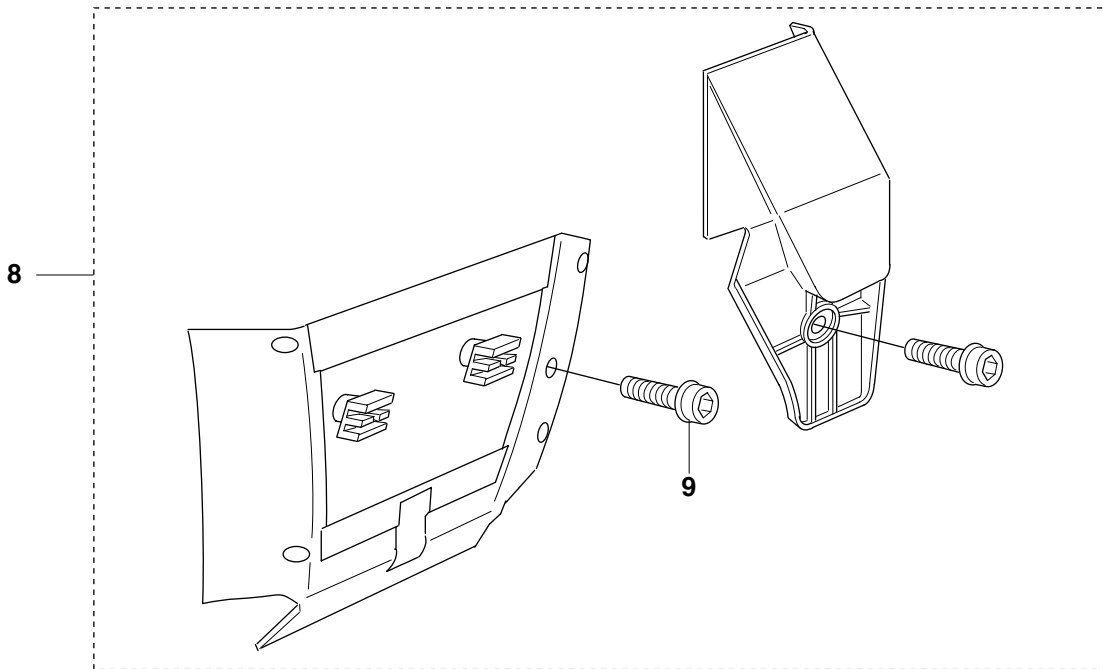
**Page N2 390, 390EPA CARBURETOR**

<b>Position</b>	<b>Article</b>	<b>Quantity</b>	<b>Notes</b>	<b>Kit</b>
1	501 35 54-01	1		
2	503 10 87-01	4		1
3	505 31 67-02	1		1
4	505 31 67-15	1		1, 38
5	501 46 75-01	1		1, 38
6	505 31 67-17	1		1
7	505 31 67-34	1		1
8	505 31 67-31	1		1
9	504 79 12-01	1		1
10	503 56 34-01	1		1
11	503 59 23-01	1		1
12	501 46 87-01	1		1
13	504 79 07-01	1		1
14	505 69 69-01	1		1
15	505 31 67-36	1		1
16	504 79 09-01	1		1
17	504 79 08-01	1		1
18	503 11 77-01	1		1
19	503 11 71-01	1		1
20	501 66 61-01	1		1
21	503 80 05-01	1		1
22	505 50 91-01	1	Low speed	1
23	505 50 92-01	1	High speed	1
24	503 80 00-01	1		1
25	544 11 15-01	1		1
26	504 79 04-01	1		1
27	576 13 82-01	1		1
28	502 10 31-01	1		1
29	504 79 11-01	1		1
30	537 00 34-01	1		1
31	505 31 67-07	1		1
32	504 79 05-01	1		1
33	504 79 15-01	1		1
34	544 89 72-01	1		1, 38
35	503 11 72-01	1		1, 38
36	504 79 03-01	1		1
37	503 11 75-01	4		1
38	522 59 18-01	1	Set of gaskets	

**P** 390, 390EPA  
ACCESSORIES



**WINTER KIT**





**Page P 390, 390EPA ACCESSORIES**

<b>Position</b>	<b>Article</b>	<b>Quantity</b>	<b>Notes</b>	<b>Kit</b>
1	503 55 85-02	1		
2	503 62 12-01	1		1
3	501 91 14-01	1		1
4	503 13 96-01	1		1
5	503 55 86-02	1	NV5	1
6	503 55 86-01	1	NV4	1
7	501 68 89-01	1		
8	537 04 38-01	1	Winter kit	
9	503 21 70-16	2		8